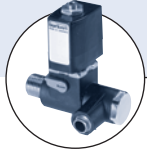


## 2/2-way Ball Valve with pneumatic rotary actuator, plastic body, DN 10-50



Type 2658 can be combined with...



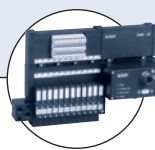
**Type 6012/6014 P**

Pilot valve



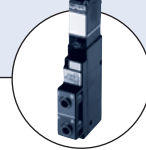
**Type 8631**

TopControl On/Off



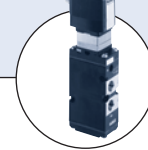
**Type 8640/8644**

Valve block



**Type 5470**

Solenoid valve



**Type 6519 NAMUR**

Solenoid valve

- Radially expandable body
- Pneumatic actuator in compact model
- Optical position indicator
- Control valve connection acc. to NAMUR
- Safe blocked union nuts with Dual Block<sup>®</sup> Technology <sup>1)</sup>

The complete unit of the Type 2658 consists of a pneumatic rotary actuator and a ball valve body from plastic. The connection between the ball valve and the actuator is made via a standard interface (flange connection). The rotary movement in the actuator is produced by a linear piston with angled thread coupling. The rotary actuator moves the ball valve through 90° and thereby opens or closes the port cross-section. The compact pneumatically-operated ball valve can be used for a wide range of applications and media. The pneumatic rotary actuator can also be used for other purposes.

### Special feature

The ball valves are equipped with the so-called Dual Block<sup>®</sup> Technology. This system serves as a safety device for the union nuts. It prevents these separating during operation.

Technical data	
<b>Orifice</b>	DN 10-50
<b>Body material</b>	PVC-U (PP, PVDF, PVC-C, ABS on request)
<b>Actuator material</b>	PA (Polyamide, glass-fibre reinforced)
<b>Pilot air ports material</b>	Stainless steel
<b>Seal material</b>	
O-rings	EPDM, FKM
Ball sealing	PTFE
<b>Media</b>	Gaseous and liquid media which do not attack the body and the seal materials
<b>Media temperature</b>	(see chart p. 2)
PVC body	0 to +60° C
PP body	+10 to +80° C
PVDF body	0 to +120° C
<b>Ambient temperature</b>	-10 to +60° C
<b>Port connections</b>	
PVC-U	True union
PP, (PVDF on request)	Fusion spigot
<b>Control medium</b>	Neutral gases, air
<b>Pilot pressure</b>	
single-acting actuator	5 - 10 bar (Ø 63 mm)
double-acting actuator	5 - 6 bar (Ø 100 mm)
	2 - 10 bar (Ø 63 mm)
	2 - 6 bar (Ø 100 mm)
<b>Rotation</b>	90° ±3°
<b>Rotation time for 90°</b>	1 to 3.5 s (depending on load and control pressure)
<b>Connection</b>	Flange acc. to ISO 5211 and DIN 3337
<b>Installation</b>	As required, preferably with actuator upright

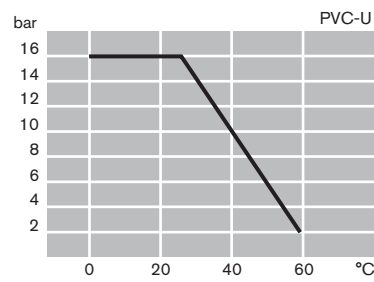
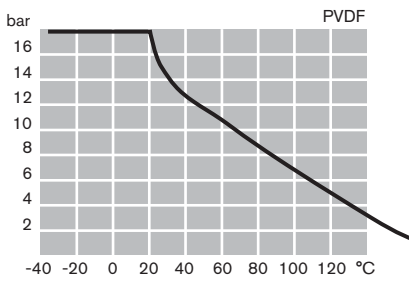
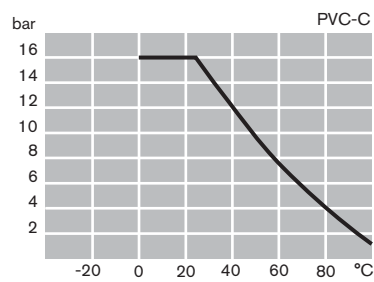
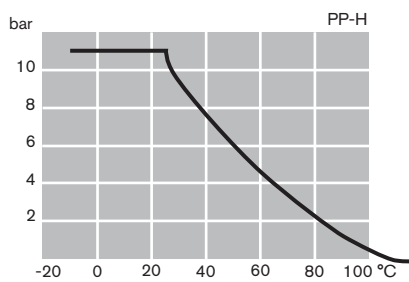
<sup>1)</sup> Dual Block<sup>®</sup> Technology is a registered trademark of FIP - Formatura Iniezione Polimeri S.p.A

Technical data, continued

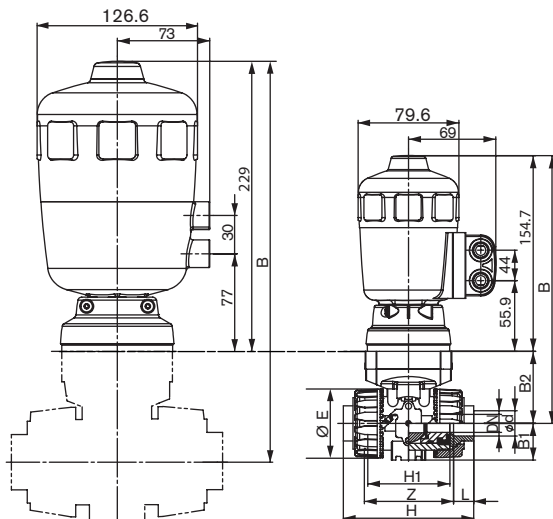
Kvs values

Orifice [mm]	Port connection Ø [mm]	Kv value water [m³/h]	Pressure range [bar]		Actuator size Ø [mm]	
			PVC, PVDF	PP	double-acting	single-acting
10	16	4.8	0 - 16	0 - 10	63	63
15	20	12	0 - 16	0 - 10	63	63
20	25	23	0 - 16	0 - 10	63	63
25	32	46	0 - 16	0 - 10	63	100
32	40	66	0 - 16	0 - 10	63	100
40	50	105	0 - 16	0 - 10	63	100
50	63	204	0 - 10	0 - 10	63	100

Pressure temperature chart



Dimensions [mm]

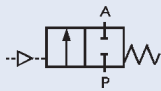
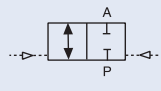


DN	ød	Actuator	H	H1	Z	L	øE	B1	B2	B
10	16	E	103	65	75	14	54	29	58	213
15	20			71	16					
20	25		115	70	77	19	65	34.5	69	224
25	32		128	78	84	22	73	39	74	229
32	40		146	88	94	26	86	46	91	246
40	50	164	93	102	31	98	52	97	252	
50	63	199	111	123	38	122	62	114	269	
32	40	G	146	88	94	26	86	46	91	320
40	50									326
50	63									343

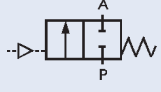
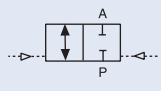
DTS 1000021453 EN Version: E Status: RL (released | freigegeben | validé) printed: 05.07.2007

## Ordering chart for ball valves (other versions on request)

## PVC body, true union connection

Control function	Orifice [mm]	Port connection [mm]	Actuator size Ø [mm]	Kv-value water [m <sup>3</sup> /h]	Pressure range [bar]	Item no. Seal material EPDM	Item no. Seal material FKM
 2/2-way normally closed (NC)	10	16	63	4,8	0 - 16	178 898	178 987
	15	20	63	12	0 - 16	178 944	178 986
	20	25	63	23	0 - 16	178 949	178 985
	25	32	63	46	0 - 16	178 955	178 983
	32	40	100	66	0 - 16	178 960	178 982
	40	50	100	105	0 - 16	178 964	178 980
	50	63	100	204	0 - 10	178 966	178 979
 2/2-way, double-acting	10	16	63	4,8	0 - 16	176 491	176 505
	15	20	63	12	0 - 16	176 492	176 506
	20	25	63	23	0 - 16	176 493	176 507
	25	32	63	46	0 - 16	176 494	176 508
	32	40	63	66	0 - 16	176 495	176 509
	40	50	63	105	0 - 16	176 496	176 510
	50	63	100	204	0 - 10	176 497	176 511

## PP body, fusion spigot connection

Control function	Orifice [mm]	Port connection [mm]	Actuator size Ø [mm]	Kv-value water [m <sup>3</sup> /h]	Pressure range [bar]	Item no. Seal material EPDM	Item no. Seal material FKM
 2/2-way normally closed (NC)	10	16	63	4,8	0 - 10	178 969	178 975
	15	20	63	12	0 - 10	178 972	178 974
	20	25	63	23	0 - 10	178 973	178 971
	25	32	63	46	0 - 10	178 976	178 962
	32	40	100	66	0 - 10	178 977	178 958
	40	50	100	105	0 - 10	178 981	178 952
	50	63	100	204	0 - 10	178 984	178 942
 2/2-way normally closed (NC)	10	16	63	4,8	0 - 10	176 498	176 512
	15	20	63	12	0 - 10	176 499	176 513
	20	25	63	23	0 - 10	176 500	176 514
	25	32	63	46	0 - 10	176 501	176 515
	32	40	63	66	0 - 10	176 502	176 516
	40	50	63	105	0 - 10	176 503	176 517
	50	63	100	204	0 - 10	176 504	176 518

Flow rate: Kv value water [m<sup>3</sup>/h]: Measured at +20°C, 1 bar pressure at valve inlet and free outlet.

Pressure values [bar]: Overpressure to the atmospheric pressure

### i Further versions on request



#### Material

PP, PVDF, PVC-C, ABS valve body



#### Additional

Mounting sets for DIN resp. ISO flange on request

Electrical position feedback Type 1062 (Please see Datasheet Accessories 2XXX.)

Spacer plates and threaded inserts for instrument panel attachment or wall assembly on request

## Ordering chart for accessories

### 3/2-way piloted valves with banjo bolts

Seal material valve FKM, seal material banjo bolt NBR

Valve for actuator size [Ø mm]	Type	Pressure inlet P (valve body)	Service port A (banjo bolt)	Orifice [mm]	Qn value air [l/min]	Pressure range [bar]	Electrical coil connection Ind. Std.	Power consumption [W]	Item no. Voltage/frequency [V/Hz]	Item no. Voltage/frequency [V/Hz]
63	6012P	Tube fitting ø6 mm	G 1/4	1.2	48	0-10	Form B	4	552 283	552 286
63-100	6014P	G 1/4	G 1/4	2	120	0-10	Form A	8	424 103	424 107

Pilot valve with NAMUR flange see Type 0450 NAMUR, 54070 NAMUR, 6517 NAMUR and 6519 NAMUR.

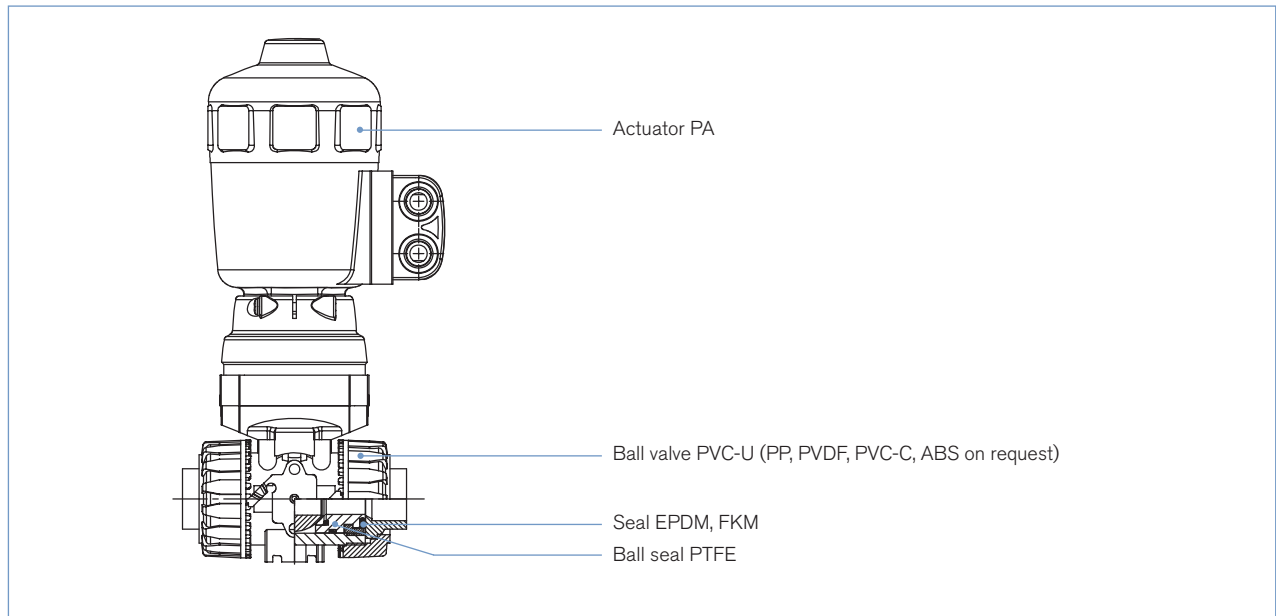
### NAMUR adapter for pilot valves with NAMUR flange

Actuator size [Ø mm]	Material	Item no.
63	Plastic (PA)	427 405
100	Brass	637 114
	Stainless steel	634 275

### Cable plug for Type 2507, Form B or Type 2508, Form A

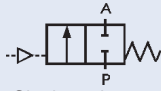
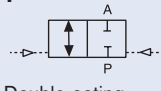
Plug configuration acc. to DIN EN 175301-803	Item no.
Form B, 0 to 250 V without circuitry (Type 6012 P)	423 845
Form A, 0 to 250 V without circuitry (Type 6014 P, Type 0331P)	008 376

## Material

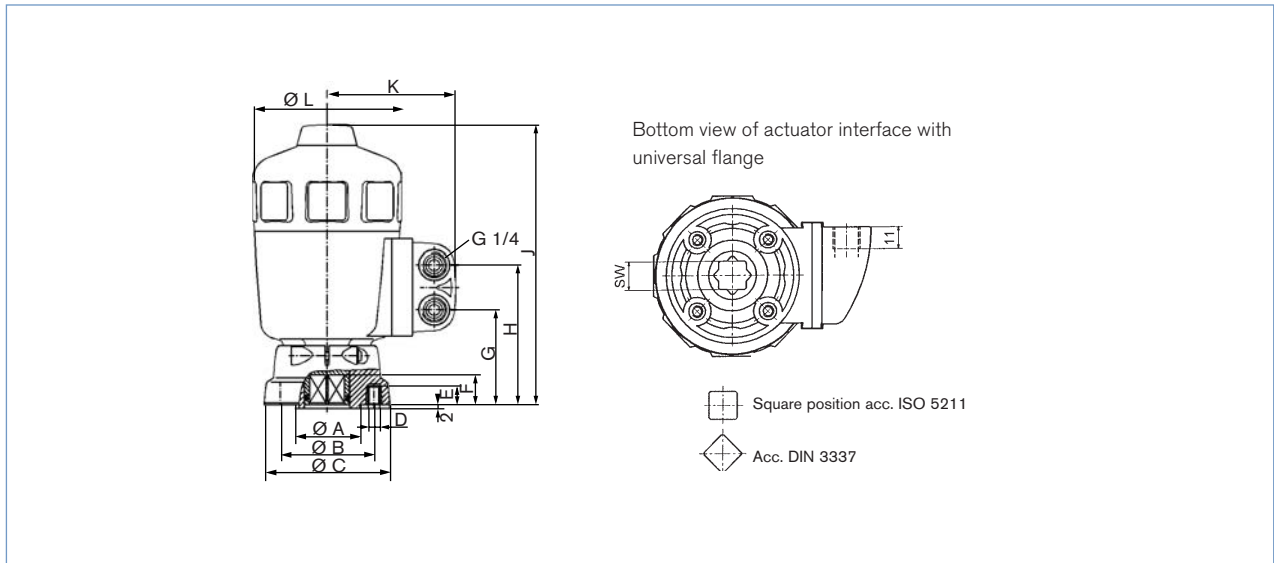


**Pneumatic Actuator Type 2050 (without regulating unit)**

**Ordering chart for Pneumatic Actuator, Type 2050**

Control function	Actuator size $\varnothing$ [mm]	Pressure range [bar]	Flange	Item no.
<b>A</b>  Single-acting	63	3,5 - 10	F04	142 621
	100	3,5 - 6	F05	142 622
			F07	140 810
<b>I</b>  Double-acting	63	2 - 10	F04	140 805
	100	2 - 6	F05	140 806
			F07	140 807
			F05	140 807
			F07	140 808

**Dimensions [mm]**



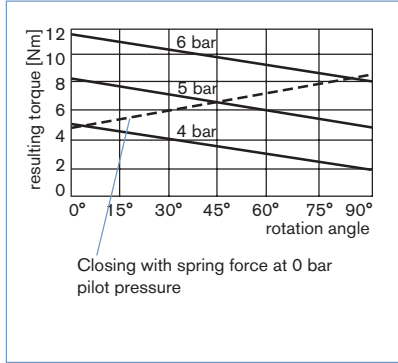
Actuator- $\varnothing$	flange	$\varnothing A$	$\varnothing B$	$\varnothing C$	D	E	F	G	H	J	K	$\varnothing L$	SW
63	F 04	30	42	67	M5	9	16	51	75	150	69	80	11
	F 05	35	50	67	M6	10	16	51	75	150	69	80	14
100	F 05	35	50	90	M6	10	21	72	102	224	73	127	14
	F 07	55	70	90	M8	12	21	72	102	224	73	127	17

**Torque at the actuator shaft [Nm]**

**Control function A**

**Actuator size Ø 63 mm**

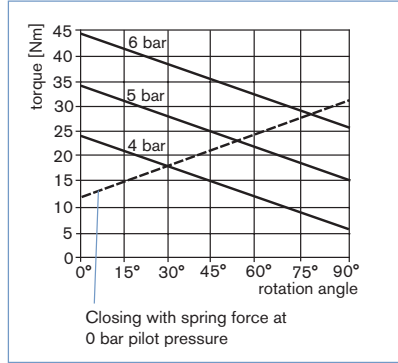
Opening with 4.5 or 6 bar pilot pressure against the spring force



**Control function A**

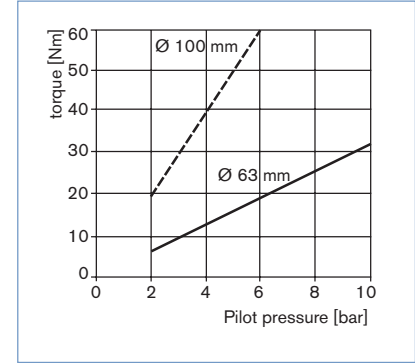
**Actuator size Ø 100 mm**

Opening with 4.5 or 6 bar pilot pressure against the spring force



**Control function I**

**Actuator size Ø 63 and 100 mm**



DTS 1000021453 EN Version: E Status: RL (released | freigegeben | validé) printed: 05.07.2007

To find your nearest Bürkert facility, click on the orange box →

[www.burkert.com](http://www.burkert.com)

In case of special application conditions, please consult for advice.

We reserve the right to make technical changes without notice.

0707/4\_EU-en\_00891927